

# Orion® EZ Finder™ Deluxe II

#7231

*Congratulations on your purchase of an Orion EZ Finder Deluxe II.* The EZ Finder Deluxe II reflex sight makes pointing your telescope almost as easy as pointing your finger! The sight boasts a wide field of view and many useful features that truly make finding celestial objects easy. Day or night use!

The EZ Finder Deluxe II has four different and useful reticles, or sight patterns, to choose from. The chosen reticle is superimposed on the viewing window of sight and allows you to train your telescope on a desired celestial object quickly and easily. The EZ Finder Deluxe II lets you point your telescope without having to utilize the different and sometimes confusing view of a magnified finderscope. Not only does the reflex sight have four different reticles to choose from, but you can also control the brightness of the reticle with the built-in brightness adjustment knob, making it easy to retain your dark-sky optimized eyes while still aiming your telescope with precision. The Orion EZ Finder Deluxe II can also operate with a bright green reticle for daytime operation.

## Parts List

- 1 EZ Finder Deluxe II
- 1 Dovetail bracket
- 1 Hex key (3mm)
- 1 Lens cover

## Installation

First, open the box and make certain that all the parts listed above are present.

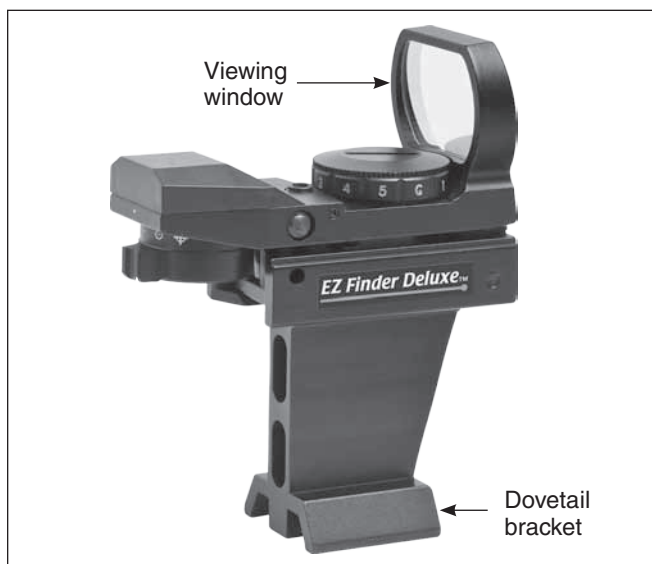
For most Orion telescopes, the EZ Finder Deluxe II's dovetail bracket will slip neatly into the dovetail base that held the telescope's original finder scope. If your telescope is not equipped with an Orion dovetail base, we offer individual dovetail bases designed to fit the EZ Finder Deluxe II dovetail bracket. Call our Sales department at 800-676-1343, or visit our web site at [www.oriontelescopes.com](http://www.oriontelescopes.com) for details.

To attach the dovetail bracket to the EZ Finder Deluxe II, loosen the two 3mm socket-head cap screws on the bottom rail of the EZ Finder Deluxe II with the included 3mm hex key. Slide the bottom rail onto the grooves of the dovetail bracket, and tighten the two 3mm socket-head cap screws to secure the sight (Figure 1).

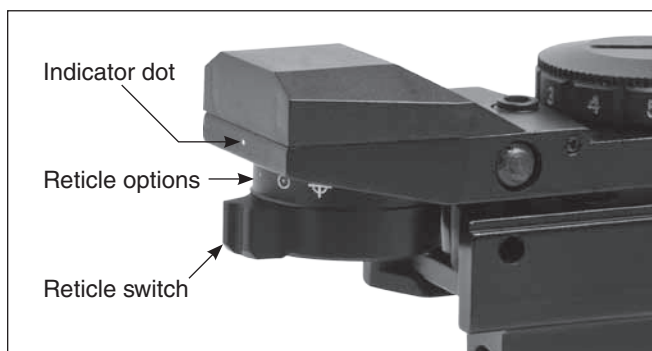
To attach the EZ Finder Deluxe II to your telescope, simply slide the dovetail bracket into the telescope's dovetail base and tighten the thumbscrew on the base to secure the bracket.

## Day/Night Operation

The EZ Finder Deluxe II works by projecting a small reticle, or pattern, onto the viewing lens mounted in the front of the unit.



**Figure 1.** The EZ Finder Deluxe II



**Figure 2.** The EZ Finder Deluxe II reticle switch

When you look through the viewing window, the reticle will appear to float in space, allowing you to locate even the faintest of deep space objects with ease. The reticle is emitted by a light-emitting diode (LED) housed in the rear portion of the sight.

Don't forget to remove the protective rubber lens cover to expose the viewing window before operating the EZ Finder Deluxe II.

The EZ Finder Deluxe II features four different sighting reticles or patterns to choose from: a small dot, a crosshair, a circle with a crosshair, and a large circle with centered dot. Choose a reticle pattern by adjusting the large switch at the end of the sight (Figure 2) until the desired pattern is directly below the indicator dot on the rear of the sight body.

Once you have selected a reticle pattern, power on your sight by rotating the brightness adjustment knob clockwise (Figure 3). The numbers printed along the edge of the brightness adjustment knob denote the relative brightness of the projected reticle pattern with 5 being the brightest, 1 being the most dim, and R or G indicating the unit is powered off. Red

numbers are for night-time use, green numbers are for a green LED light for use during the day. The number located directly above the indicator dot on the left side of the sight body indicates the current brightness setting of the chosen reticle.

At the end of your observing session, be sure to turn off your EZ Finder Deluxe II by setting the brightness adjustment knob to 0.

## Aligning the EZ Finder Deluxe II

When the EZ Finder Deluxe II is properly aligned with a telescope, any object that is centered on the chosen reticle should also appear in the field of view of the telescope's eyepiece. Alignment of the sight is easiest and most accurate when performed during daylight, before observing at night.

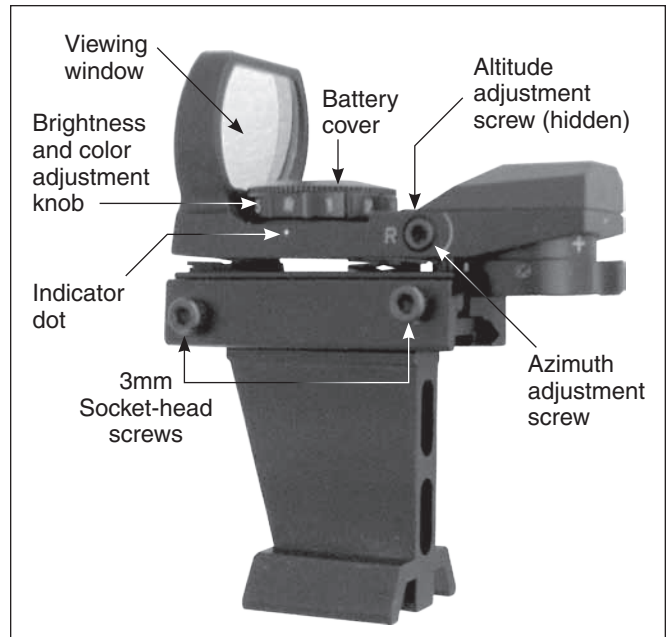
To align the EZ Finder Deluxe II, aim the telescope at a distant stationary object such as a telephone pole or rooftop chimney and center the object in the telescope's eyepiece. For best results, the object should be at least 1/4 mile away. Now, with the sight turned on, look through the viewing window. The object should appear in the field of view, but may not be centered in the viewing window. Without moving the main telescope, use the included 3mm hex key to calibrate the EZ Finder Deluxe II's azimuth (left/right) and altitude (up/down) adjustment screws (Figure 3) until the reticle is sufficiently centered on the object.

When the reticle is centered on the distant object, check that the object is still centered in the telescope eyepiece. If not, recenter the object and adjust the sight's alignment again. When the object centered in the telescope eyepiece is also centered on the reticle, the EZ Finder Deluxe II is properly aligned with the telescope.

The EZ Finder Deluxe II will usually hold its alignment even after being removed and remounted. Otherwise, only minimal realignment will be needed.

## Replacing the Battery

The EZ Finder Deluxe II is powered by a 3-volt lithium battery (CR2032). Should the battery ever die, replacement 3-volt lithium batteries are available from Orion, as well as many retail



**Figure 3.** The EZ Finder Deluxe II

outlets. Use a coin to unscrew the battery cover and expose the old battery. Remove the old battery and replace it with a new one, making sure that the battery is installed so the positive (+) side faces upward.

## Specifications

Weight:	5.6 oz.
Length:	3.25"
Viewing window:	33mm x 23mm
Magnification:	1x
Reticle options:	Dot, crosshairs, circle with centered dot, circle with crosshairs
Light source:	Light-emitting diode (LED); red (night), green (day)
LED intensity knob:	Adjusts from 0 (off) to 5 (brightest)
Power:	3V lithium battery (CR2032)

### One-Year Limited Warranty

This Orion EZ Finder Deluxe II is warranted against defects in materials or workmanship for a period of one year from the date of purchase. This warranty is for the benefit of the original retail purchaser only. During this warranty period Orion Telescopes & Binoculars will repair or replace, at Orion's option, any warranted instrument that proves to be defective, provided it is returned postage paid to: Orion Warranty Repair, 89 Hangar Way, Watsonville, CA 95076. If the product is not registered, proof of purchase (such as a copy of the original invoice) is required.

This warranty does not apply if, in Orion's judgment, the instrument has been abused, mishandled, or modified, nor does it apply to normal wear and tear. This warranty gives you specific legal rights, and you may also have other rights, which vary from state to state. For further warranty service information, contact: Customer Service Department, Orion Telescopes & Binoculars, 89 Hangar Way, Watsonville, CA 95076; (800)-676-1343.

**Orion Telescopes & Binoculars**  
**89 Hangar Way, Watsonville, CA 95076**  
**Customer Support Help Line (800)-676-1343 • Day or Evening**

© 2009-2012 Orion Telescopes & Binoculars